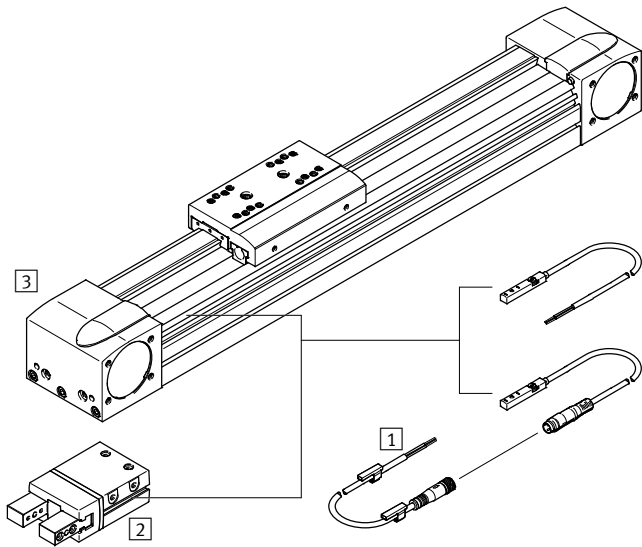


# Proximity sensors SIES-8M, inductive for T-slot

Peripherals overview and type codes

## Peripherals overview



Mounting attachments and accessories		→ Page/Internet
1	Connecting cable NEBU-M8...3	6
2	Gripper with T-slot e.g. parallel gripper DHPS	gripper
3	Electric axis EGC	egc

## Type codes

SIE S - 8M - P S - 24V - K - 2,5 - M8D

Type	
SIE	Proximity sensor, inductive

Design	
S	Special design

Design	
8M	For T-slot

Switching output	
P	PNP
N	NPN

Switching element function	
S	N/O contact
O	N/C contact

Rated operating voltage	
24V	24 VDC

Cable attributes	
K	Standard + energy chain

Cable length	
0,3	0.3 m
2,5	2.5 m
5,0	5.0 m
7,5	7.5 m
10	10 m

Electrical connection	
OE	Cable, 3-wire, open end
M8D	Cable with plug M8x1, 3-pin, knurled ring