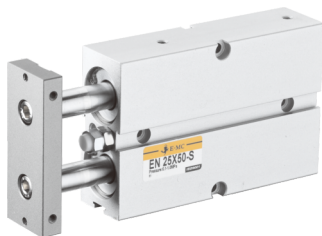


EN Series Double Shaft Cylinder

EN

Double Shaft Cylinder



Specifications

Bore(mm)	10	16	20	25	32
Acting type	Double acting				
Working medium	Clean Air(after 40 μ m filtration)				
Working pressure (MPa)	0.1~1.0				
Guaranteed pressure (MPa)	1.5				
Working temperature (°C)	-20~80(No freezing)				
Speed range (mm/s)	30~500				
Cushion type	Rubber cushion				
Stroke tolerance(mm)	$\begin{matrix} +1.0 \\ 0 \end{matrix}$				
Adjusting stroke (mm)	-8~0		-5~0		
No-return precision	± 0.4°		± 0.3°		
Port Size	M5 × 0.8				G1/8 ①

① PT、NPT port size is optional.

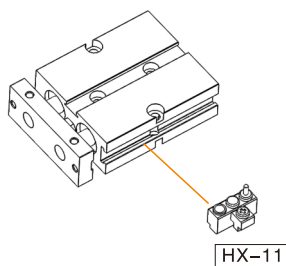
How to Order?

Series No	Bore X	Stroke	Magnet No	Thread Type
EN	10 16 20 ... 32	25 50 75 ...	S : With magnet	Blank: G P : PT T : NPT

Order Example:

EN series double shaft cylinder, Bore 32mm, stroke 30mm, with magnet, PT thread. ERP code is: EN32X30-S-P

Optional Accessories

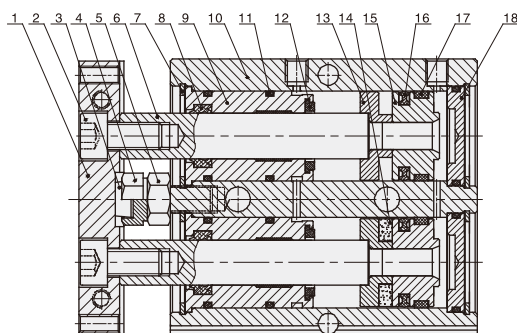


Stroke

Bore (mm)	Standard Stroke (mm)	Max. Stroke (mm)
10	10 20 30 40 50 60 70 80 90 100	100
16~32	10 20 30 40 50 60 70 80 90 100 125 150 175 200	200

Note: The dimensions of non-std stroke cylinder has the same dimensions as the next longer stroke std. stroke cylinder.
e.g. 27mm stroke cylinder has the same dimensions of 30 std. stroke cylinder.
When ordering stroke is larger than the maximum stroke, please contact us.

Internal Structure

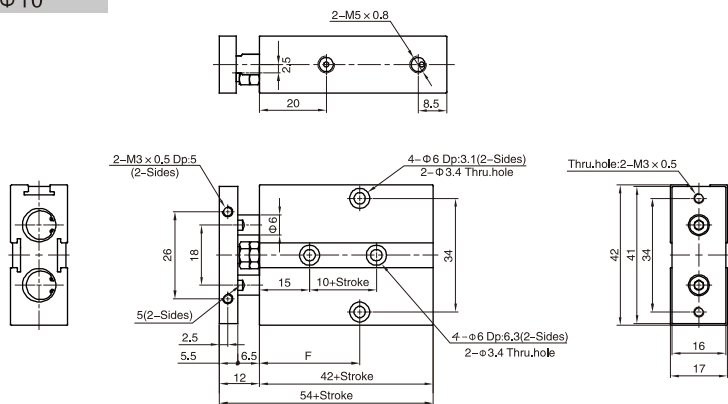


NO.	Part Name	Material
1	Fixing plate	Aluminum alloy
2	Nut	Carbon steel
3	Bumper	POM
4	Adjustable nut	Carbon steel
5	Screw	Carbon steel
6	Piston rod	S45C hard chrome carbon steel
7	C clip	Carbon Steel
8	Wiper seal	NBR
9	Head cover	Aluminum alloy
10	Body	Aluminum alloy
11	O-ring	NBR
12	Anti-bump cushion	TPU(EN10 is POM)
13	Magnet holder	Aluminum alloy
14	Magnet	NdFeB
15	Piston	Aluminum alloy
16	Piston seal	NBR
17	Wear ring	PTFE
18	Rear cover	Aluminum alloy

EN Series Double Shaft Cylinder

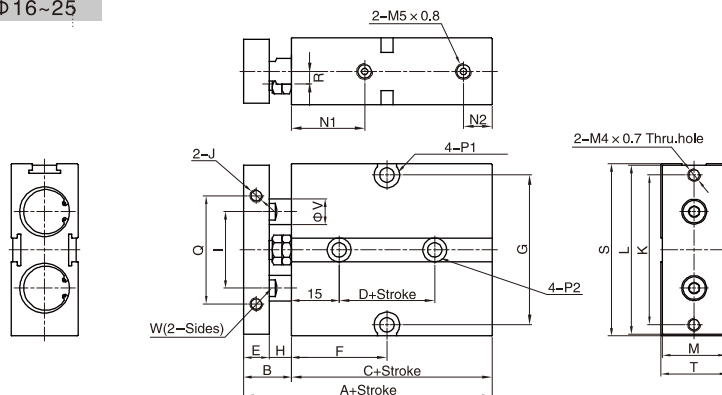
○ Main Dimension

EN $\Phi 10$



		(mm)									
Bore\Sign		10	20	30	40	50	60	70	80	90	100
F		30	30	35	40	45	50	55	60	65	70

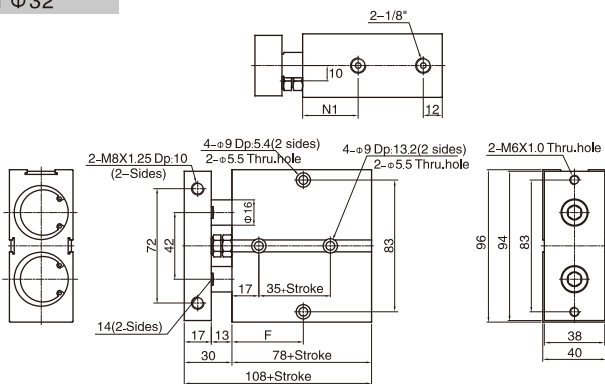
EN $\Phi 16\sim 25$



Bore\Sign	A	B	C	D	E	F															G	H	I	K
						10	20	30	40	50	60	70	80	90	100	125	150	175	200					
16	68	15	53	20	8	30	35	40	45	50	55	60	65	70	75	87.5	100	112.5	125	47	7	24	47	
20	78	20	58	20	10	35	35	40	45	50	55	60	65	70	75	87.5	100	112.5	125	55	10	28	55	
25	81	19	62	30	10	40	40	45	50	55	60	65	70	75	80	92.5	105	117.5	130	66	9	34	66	

Bore\Sign	J	L	M	N1	N2	P1	P2	Q	R	S	T	V	W
16	M4 x 0.7 Dp:5	53	20	23	9	$\Phi 8$ Dp:4.5 ; Thru.hole: $\Phi 4.5$	$\Phi 7.5$ Dp:7.3 ; Thru.hole: $\Phi 4.5$	34	3	54	21	8	6
20	M4 x 0.7 Dp:5	61	24	28	9	$\Phi 8$ Dp:4.5 ; Thru.hole: $\Phi 4.5$	$\Phi 7.5$ Dp:7.5 ; Thru.hole: $\Phi 4.5$	44	3.5	62	25	10	8
25	M4 x 0.7 Dp:6	72	29	33	9	$\Phi 8$ Dp:4.5 ; Thru.hole: $\Phi 4.5$	$\Phi 7.5$ Dp:7.5 ; Thru.hole: $\Phi 4.5$	56	6	73	30	12	10

EN $\Phi 32$



		(mm)															
N1	35																
F	45	50	55	60	65	70	75	80	85	90	102.5	115	127.5	140			

○ Max. weight of allowable side-load

