

ER Series Air Preparation Unit

ER Regulator



Specifications

Model	ER1000	ER2000	ER3000	ER4000	ER5000
Proof pressure(MPa)	1.5				
Max. working pressure(MPa)	1.0				
Working temperature(°C)	-5~60 (No freezing)				
Pressure adjusting range(MPa)	0.05~0.85				
Valve type	With overflow				

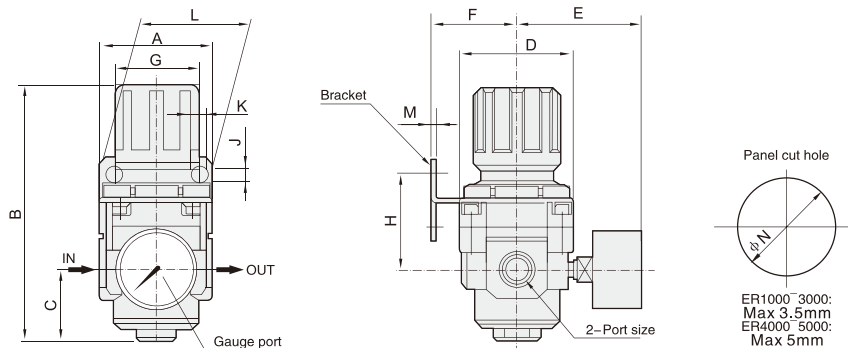
Model	Specifications				Accessories
	*Rated flow(L/min)	** Port size (G)	size (G)	Weight (kg)	Bracket
ER1000-M5	100	M5	1/16	0.08	B120
ER2000-01	1178	1/8	1/8	0.27	B220
ER2000-02	1200	1/4			
ER3000-02	2112	1/4	1/8	0.41	B320
ER3000-03	2212	3/8			
ER4000-03	5020	3/8	1/4	0.84	B420
ER4000-04	5312	1/2			
ER4000-06	6000	3/4	1/4	0.94	
ER5000-06	6400	3/4			
ER5000-10	6600	1	1/4	1.19	

* The above information is based on 8.0 Bar supply pressure and 6.3 Bar set pressure

* NPT,PT port size is optional

Main Dimension

ER1000-ER5000



Panel cut hole

ER1000~3000:
Max 3.5mm
ER4000~5000:
Max 5mm

Model	Port Size (G)	A	B	C	D	E	F	G	H	J	K	L	M	N
ER1000	M5	25	61.5	11	25	26	25	28	30	4.5	6.5	40	2	20.5
ER2000	1/8"-1/4"	40	93	17	40	52	30.5	33.5	44	5.4	15	55	2	33
ER3000	1/4"-3/8"	53	127.5	34.5	53	57	39	40	46	6.5	8	53	2	42
ER4000	3/8"-1/2"	70	149.5	40.5	70	62	48	53.5	54.5	8.5	10.5	70	2	52
ER4000-06	3/4"	75	154	40.5	70	66	48	53.5	55.5	8.5	10.5	70	2	52
ER5000	3/4"-1"	90	168	49	90	72	48	53.5	62	8.5	10.5	70	2	52