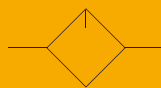


EL Series Air Preparation Unit

EL

Lubricator



Specifications

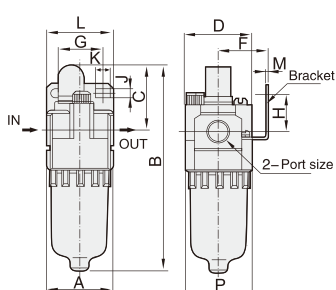
| Model | EL1000 | EL2000 | EL3000 | EL4000 | EL5000 |
|--------------------------------|----------------------------|--------|-----------|--------|--------|
| Proof pressure(MPa) | | | 1.5 | | |
| Max. working pressure(MPa) | | | 1.0 | | |
| Working temperature(°C) | -5~60 (No freezing) | | | | |
| Filter precision | 25 μm (5 μm is optional) | | | | |
| Bowl material | Polycarbonate | | | | |
| Bowl guard | None | | Available | | |
| Pressure adjusting range (MPa) | | | 0.15~1.0 | | |

| Model | Specifications | | | | | Accessories |
|-----------|----------------------------------|--------------------|------------------|----------------------------------|-------------|-------------|
| | Minimal flow of oil drop (L/min) | *Rated flow(L/min) | ** Port size (G) | Bowl capacity (CM ³) | Weight (kg) | Bracket |
| EL1000-M5 | 4 | 95 | M5 | 7 | 0.07 | - |
| EL2000-01 | 15 | 1300 | 1/8 | 25 | 0.22 | B240 |
| EL2000-02 | | 1345 | 1/4 | | | |
| EL3000-02 | 30 | 2310 | 1/4 | 50 | 0.50 | B340 |
| EL3000-03 | 40 | 2375 | 3/8 | | | |
| EL4000-03 | 40 | 5321 | 3/8 | 130 | 0.56 | B440 |
| EL4000-04 | 50 | 5532 | 1/2 | | | |
| EL4000-06 | 50 | 6700 | 3/4 | 130 | 0.58 | B540 |
| EL5000-06 | 190 | 7700 | 3/4 | 130 | 1.08 | B640 |
| EL5000-10 | | 8000 | 1 | | | |

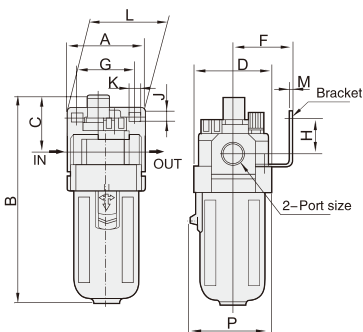
- * The above information is based on 6.3 Bar supply pressure,the flow of oil drop is 2-3 drops/min,the temperature of Turbine No.1 oil is 20° C
- * The above information is based on 6.3 Bar supply pressure and 1.0 Bar step down
- * NPT,PT port size is optional

Main Dimension

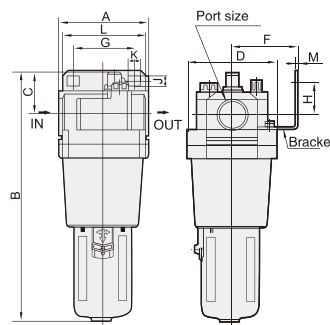
EL1000-EL2000



EL3000-EL4000



EL5000



| Model | Port Size (G) | A | B | C | D | F | G | H | J | K | L | M | P |
|-----------|---------------|----|------|------|----|----|----|----|-----|------|----|---|----|
| EL1000 | M5 | 25 | 81.5 | 25.5 | 25 | - | - | - | - | - | - | - | 27 |
| EL2000 | 1/8"-1/4" | 40 | 115 | 37.5 | 40 | 31 | 19 | 14 | 17 | 6.8 | 40 | 2 | 40 |
| EL3000 | 1/4"-3/8" | 53 | 141 | 39 | 53 | 41 | 40 | 23 | 6.5 | 8 | 53 | 2 | 56 |
| EL4000 | 3/8"-1/2" | 70 | 175 | 40 | 70 | 53 | 54 | 26 | 8.5 | 10.5 | 70 | 2 | 73 |
| EL4000-06 | 3/4" | 75 | 177 | 39 | 70 | 50 | 54 | 26 | 8.5 | 10.5 | 70 | 2 | 73 |
| EL5000 | 3/4"-1" | 90 | 254 | 45.5 | 90 | 67 | 66 | 35 | 11 | 13 | 90 | 3 | 90 |