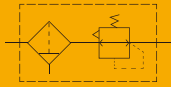


EIW Series Air Preparation Unit

EIW
F&R



Specifications

Model	EIW2000	EIW3000	EIW4000	EIW5000
Proof Pressure(MPa)			1.5	
Working Pressure Range(MPa)			0.15~1.0	
Pressure Adjustment Range(MPa)			0.05~0.9	
Working temperature(°C)			-5~60	
Filter precision		25µm(5 µm is optional)		
Bowl material		Polycarbonate		
Bowl guard(MPa)	None		Available	
Valve type		With overflow		

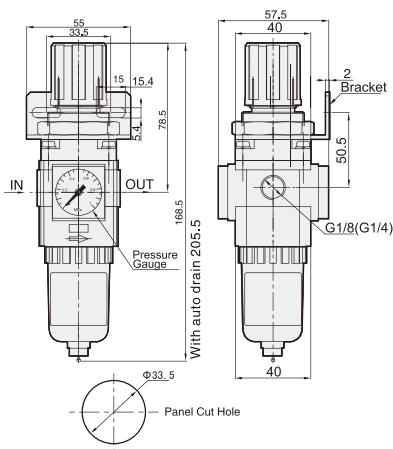
Model	Specifications		Drain function	Auto drain model
	*Rated flow (L/min)	*Port size(G)		
EIW2000-01	1078	1/8	Manual drain	EIW2000-01D
EIW2000-02	1165	1/4		EIW2000-02D
EIW3000-02	1998	1/4	Zero pressure drain/Manual drain	EIW3000-02D
EIW3000-03	2177	3/8		EIW3000-03D
EIW4000-04	5211	1/2		EIW4000-04D
EIW5000-06	6200	3/4		EIW5000-06D
EIW5000-10	6400	1		EIW5000-10D

* The above information is based on 8.0 Bar supply pressure and 6.3 Bar set pressure

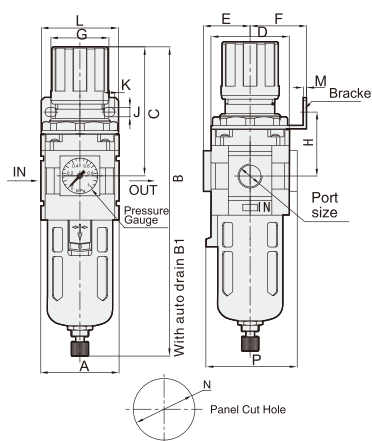
* NPT,PT port size is optional

Main Dimension

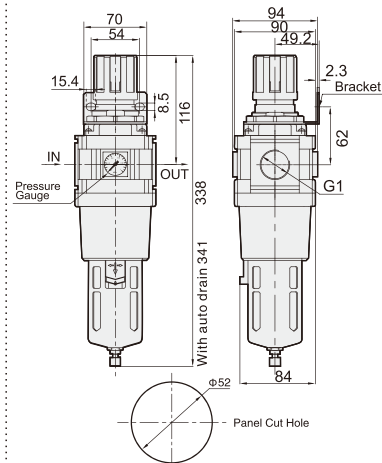
EIW2000



EIW3000-EIW4000



EIW5000



Model	Port Size (G)	A	B	B1	C	D	E	F	G	H	J	K	L	M	N	P
EIW2000	1/8"-1/4"	40	168.5	205.5	78.5	40	27	30.5	33.5	49.5	5.4	15	55	2	33	40
EIW3000	1/4"-3/8"	53	210.5	224.5	92	53	31.5	39	40	45.5	6.5	8	53	2	42	63
EIW4000	3/8"-1/2"	70	264	267	113.5	70	40	48	53.5	54.5	8.5	10.5	70	2	52	73
EIW5000	3/4"-1"	90	343	348	116.5	90	47	48	53.5	62	8.5	10.5	70	2	52	84