

El Series Air Preparation Unit

How to Order?

Series No.	Type Code	Body Size	Combination	QTY	Port Size	Drain Type	Pressure Gauge Code	Bracket Code	Scale Unit	Filter Precision	Thread Type
El: Square gauge series	C: Filter+regulator+lubricator W: Filter+regulator F: Filter R: Regulator L: Lubricator	20: 2000 body 30: 3000 body 40: 4000 body 50: 5000 body	10: Two units (Regulator+Lubricator) 00: Others	2000 01: 1/8" 02: 1/4" 3000 02: 1/4" 03: 3/8"	4000 04: 1/2" 5000 06: 3/4" 10: 1"	Blank: Manual drain type C: Semi-auto drain D: Auto Drain type	Blank: With pressure gauge N: No pressure gauge	Blank: With bracket J: No bracket	1: Mpa 2: Bar *3: Psi (*Need special made)	Blank: 25 μm 5M: 5 μm	Blank: G P: PT T: NPT

Order Example:

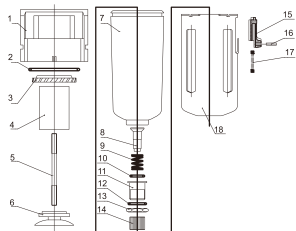
El series regulator, 2000 body size, 1/8 port size, with pressure gauge, Mpa pressure unit, G thread, ERP code is: EIR2000-01 1

Note: ① 2000series is optional for manual /auto drain type;

Standard 3000/4000/5000series are optional for manual/semi-auto/semi-auto integrated drain type.

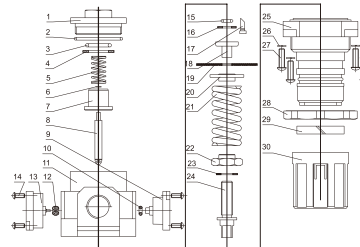
Air Preparation Unit Kits

EIF3000



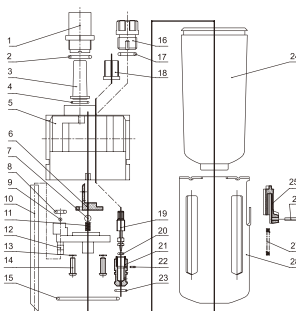
NO.	NAME	QTY	MATERIAL
18	Lock	1	ABS
17	Pin	1	ABS
16	Spring	1	Stainless steel
15	Metal bowl	1	Steel plate
14	Nut	1	HPb59-1
13	Hexagon Nut	1	HPb59-1
12	O-ring	1	NBR
11	Drain valve seat	1	HPb59-1
10	O-ring	1	NBR
9	Spring	1	Stainless steel
8	Drain valve core	1	HPb59-1
7	Water cup	1	HPb59-1
6	Drain board	1	ABS
5	Cross bolt	1	Carbon steel
4	Filter element	1	Cu
3	Blade	1	ABS
2	O-ring	1	NBR
1	Filter body	1	ADC12

EIR3000



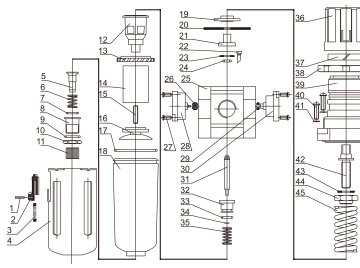
NO.	NAME	QTY	MATERIAL
30	Regulate handle	1	Reinforce nylon
29	Symbol ring	1	Reinforce nylon
28	plastic combination	1	POM
27	Cross screw	4	Carbon steel
26	Spring washer	4	Carbon steel
25	Regulator Body	1	Aluminum
24	Regulate bolt	1	Carbon steel
23	Washer	1	POM
22	Regulate Nut	1	Carbon steel
21	Spring	1	Stainless steel
20	Diaphragm-Pallet	1	Carbon steel
19	Diaphragm	1	NBR
18	Diaphragm seal	1	Brass
17	Pipe	1	POM
16	Retainer ring	1	Steel plate
15	O-ring	1	NBR
14	Cross screw	4	Carbon steel
13	Plastic connection	1	POM
12	Seal	1	NBR
11	Regulator body	1	Aluminum
10	Seal	1	NBR
9	Connection	1	ADC12
8	Spool	1	Brass+NBR
7	Valve core	1	Brass
6	Retainer ring	1	Steel plate
5	Spring	1	Stainless steel
4	Retainer ring	1	Steel plate
3	O-ring	1	NBR
2	O-ring	1	NBR
1	Regulator seat	1	ZZnAl4-1

EIL3000



NO.	NAME	QTY	MATERIAL
28	Oil cup	1	Polycarbonate
27	Lock	1	ABS
26	Pin	1	ABS
25	Spring	1	Stainless steel
24	Metal bowl	1	Steel plate
23	O-ring	1	NBR
22	Pin	1	Q235
21	Oil regulate seal	1	HPb59-1
20	O-ring	1	NBR
19	Oil regulate needle	1	HPb59-1
18	Oil regulate porrier	1	ABS
17	O-ring	1	NBR
16	Plug	1	ABS
15	O-ring	1	NBR
14	Cross screw	2	Q235
13	Spring washer	2	65Mn
12	One way valve plate	1	POM
11	Spring	1	Stainless steel
10	Pipe	1	PUI tube
9	Steel ball	1	Q235
8	O-ring	1	NBR
7	Steel ball	1	Q235
6	Reed	1	Polycarbonate
5	Lubricator body	1	ADC12
4	O-ring	1	NBR
3	Oil drop tube	1	Polycarbonate
2	O-ring	1	NBR
1	Oil window	1	Polycarbonate

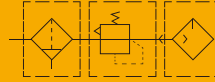
EIW3000



NO.	NAME	QTY	MATERIAL
45	Spring	1	Carbon steel
44	Regulate nut	1	Carbon steel
43	Washer	1	POM
42	Regulate bolt	1	Carbon steel
41	Spring washer	4	Carbon steel
40	Cross screw	4	Carbon steel
39	Valve cover	1	Reinforce nylon
38	Nut	1	Reinforce nylon
37	Symbol ring	1	Reinforce nylon
36	Regulate handle	1	Reinforce nylon
35	Spring	1	Stainless steel
34	Retainer	1	Steel plate
33	O-ring	1	NBR
32	Valve core	1	Brass
31	Spool	1	HPb59-1+NBR
30	connection	1	ADC12
29	Seal	1	NBR
28	Plastic connection	1	POM
27	Cross screw	4	Carbon steel
26	Seal	1	NBR
25	Regulator Body	1	Aluminum
24	O-ring	1	NBR
23	Retainer ring	1	Carbon steel
22	Pipe	1	POM
21	Diaphragm seal	1	Brass
20	Diaphragm	1	NBR
19	Diaphragm-Pallet	1	Carbon steel
18	Water cup	1	Polycarbonate
17	O-ring	1	NBR
16	Drain board	1	ABS
15	Bolt	1	Carbon steel
14	Filter element	1	ABS
13	Whirring blade	1	ABS
12	Overbow valve seat	1	ZZnAl4-1
11	Body guard	1	Carbon steel
10	Spring	1	Stainless steel
9	Lock	1	ABS
8	Pin	1	ABS
7	Nut	1	Brass
6	Hex Nut	1	Brass
5	O-ring	1	NBR
4	Drain valve	1	Brass
3	O-ring	1	NBR
2	Spring	1	Stainless steel
1	Valve core	1	Brass

EI Series Air Preparation Unit

EIC
F.R.L



Specifications

Model	EIC2000	EIC3000	EIC4000	EIC5000
Proof Pressure(MPa)	1.5			
Working Pressure Range(MPa)	0.15~1.0			
Pressure Adjustment Range(MPa)	0.05~0.9			
Working temperature(°C)	-5~60			
Filter precision	25µm(5 µm is optional)			
Recommended oil	Turbine No.1 Oil ISOVG32			
Bowl material	Polycarbonate			
Bowl guard	None	Available		
Valve type	With overflow			

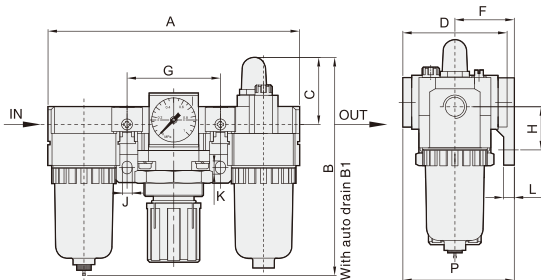
Model	Specifications				
	Filter	Assembly Regulator	Lubricator	* Rated flow (L/min)	* Port size (G)
EIC2000-01	EIF2000	EIR2000	EIL2000	1000	1/8
EIC2000-02				1100	1/4
EIC3000-02	EIF3000	EIR3000	EIL3000	1950	1/4
EIC3000-03				2105	3/8
EIC4000-04	EIF4000	EIR4000	EIL4000	5200	1/2
EIC5000-06	EIF5000	EIR5000	EIL5000	6200	3/4
EIC5000-10				6500	1

* The above information is based on 8.0 Bar supply pressure and 6.3 Bar set pressure

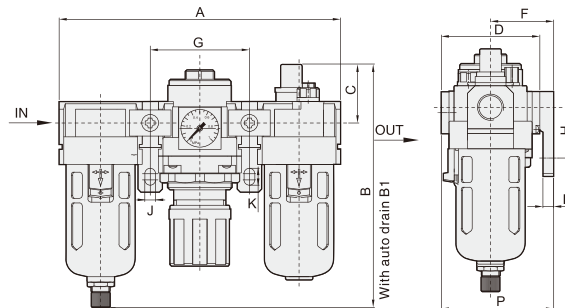
* NPT,PT port size is optional

Main Dimension

EIC2000



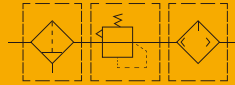
EIC3000-EIC5000



Model	Port Size (G)	A	B	B1	C	D	F	G	H	J	K	L	P
EIC2000	1/8"-1/4"	140	123	161	37.5	54	30	50	24	5.5	8.5	5	57
EIC3000	1/4"-3/8"	184	157.5	170	39	64	41	65	35	7.5	11	7.2	71
EIC4000	3/8"-1/2"	238	190	194	40	80	50	84	40	9	13	7.2	88
EIC5000	3/4"-1"	300	271.5	274.5	45.5	90	69.8	105	50	12	16	10.5	115

EI Series Air Preparation Unit

EIC
FR.L



Specifications

Model	EIC2010	EIC3010	EIC4010	EIC5010
Proof Pressure(MPa)	1.5			
Working Pressure Range(MPa)	0.15~1.0			
Pressure Adjustment Range(MPa)	0.05~0.9			
Working temperature(°C)	-5~60			
Filter precision	25µm(5 µm is optional)			
Recommended oil	Turbine No.1 Oil ISOVG32			
Bowl material	Polycarbonate			
Bowl guard	None	Available		
Valve type	With overflow			

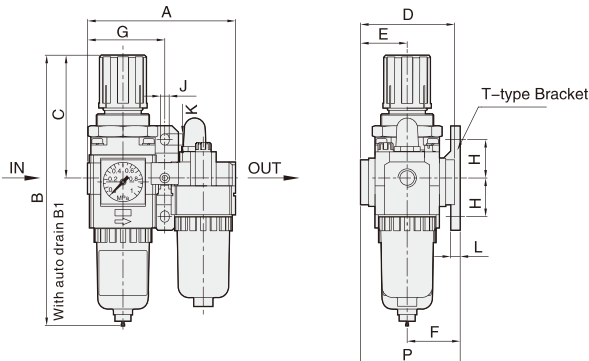
Model	Specifications			
	Assembly		* Rated flow (L/min)	* Port size (G)
Filter with pressure reducer	Lubricator			
EIC2010-01	EIW2000	EIL2000	945	1/8
EIC2010-02			960	1/4
EIC3010-02	EIW3000	EIL3000	1874	1/4
EIC3010-03			1956	3/8
EIC4010-04	EIW4000	EIL4000	5120	1/2
EIC5010-06	EIW5000	EIL5000	6000	3/4
EIC5010-10			6200	1

* The above information is based on 8.0 Bar supply pressure and 6.3 Bar set pressure

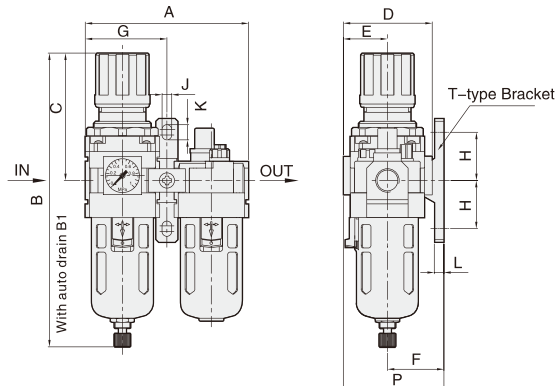
* NPT,PT port size is optional

Main Dimension

EIC2010



EIC3010-EIC5010



Model	Port Size (G)	A	B	B1	C	D	E	F	G	H	J	K	L	P
EIC2010	1/8"-1/4"	90	168.5	205.5	82	54	27	29.5	45	24	5.5	8.5	5	56.5
EIC3010	1/4"-3/8"	117	210.5	224.5	92	63	31.5	40	59.5	35	7.5	11	7.2	71.5
EIC4010	3/8"-1/2"	154	264	267	113.5	80	40	49.5	77	39	9	13	7.2	89.5
EIC5010	3/4"-1"	195	343	348	121.5	94	47	68.5	97.5	50	12	16	10.5	115.5