

E Series Air Preparation Unit

How to Order?

Series No.	Type Code	Body Size	Combination QTY	Port Size	Drain Type	Pressure Gauge Code	Bracket Code	Scale Unit	Filter Precision	Thread Type
E: Round gauge series			10: Two units (Regulator+Lubricator) 00: Others	Blank: Manual drain type C: Semi-auto drain D: Auto Drain type	Blank: With pressure gauge N: No pressure gauge	Blank: With bracket J: No bracket	Blank: 25 μm 5M: 5 μm	Blank: G P: PT T: NPT		
C: Filter+regulator+lubricator	10: 1000 body	20: 2000 body	30: 3000 body	40: 4000 body	50: 5000 body	1000 M5: M5	2000 01: 1/8"	3000 02: 1/4"	4000 03: 3/8"	5000 06: 3/4"
W: Filter+regulator						02: 1/4"	04: 1/2"	06: 3/4"		
F: Filter						03: 3/8"	10: 1"			
R: Regulator										
L: Lubricator										

Order Example:

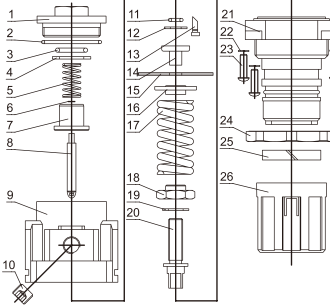
E series regulator, 2000 body size, 1/8 port size, with pressure gauge, with bracket, scale unit is Mpa/Psi, G thread, ERP code is: ER2000-01 4

Note: 2000 Series is optional for manual /auto drain type;

Standard 3000/4000/5000 Series are optional for manual/semi-auto/semi-auto integrated drain type.

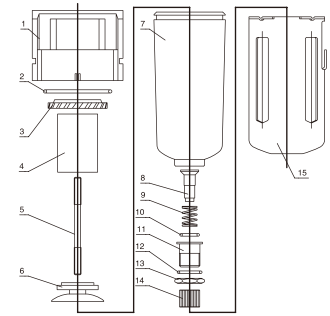
Air Preparation Unit Kits

ER



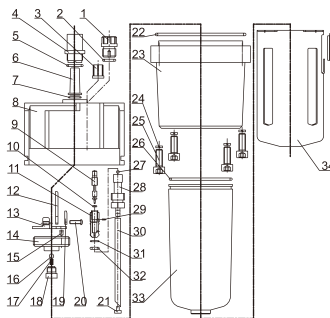
NO.	NAME	QTY	MATERIAL
26	Regulate handle	1	Reinforce nylon
25	Symbol ring	1	Reinforce nylon
24	Nut	1	Reinforce nylon
23	Cross screw	4	Carbon steel
22	Spring washer	4	Carbon steel
21	Valve cover	1	Reinforce nylon
20	Regulate bolt	1	Carbon steel
19	Washer	1	POM
18	Regulate Nut	1	Carbon steel
17	Spring	1	Carbon steel
16	Spring seat	1	Carbon steel
15	Diaphragm	1	NBR
14	Diaphragm seat	1	Brass
13	Pipe	1	POM
12	Retainer ring	1	Carbon steel
11	O-ring	1	NBR
10	Plug	1	Carbon steel
9	Valve body	1	Aluminum
8	Spool	1	Brass+NBR
7	Valve core	1	Brass
6	Retainer ring	1	Carbon steel
5	Spring	1	Stainless steel
4	Washer	1	Carbon steel
3	O-ring	1	NBR
2	O-ring	1	NBR
1	Regulator seat	1	ZZnAl-1

EF



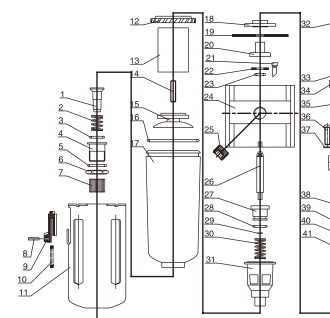
NO.	NAME	QTY	MATERIAL
18	Lock	1	ABS
17	Pin	1	ABS
16	Spring	1	Stainless steel
15	Metal bowl	1	Carbon steel
14	Nut	1	Cu
13	Hex Nut	1	Cu
12	O-ring	1	NBR
11	Drain valve	1	Cu
10	O-ring	1	NBR
9	Spring	1	Stainless steel
8	Valve core	1	Cu
7	Water cup	1	Polycarbonate
6	Drain board	1	ABS
5	Bolt	1	Carbon steel
4	Filter element	1	Cu
3	Blade	1	ABS
2	O-ring	1	NBR
1	Regulator body	1	Aluminum

EL



NO.	NAME	QTY	MATERIAL
37	Lock	1	ABS
36	Pin	1	ABS
35	Spring	1	Stainless steel
34	Bowl guard	1	Carbon steel
33	Oil cup	1	Polycarbonate
32	O-ring	1	NBR
31	O-ring	1	NBR
30	Oil tube	1	PU
29	Pin	1	Carbon steel
28	Fitting	1	POM
27	Steel ball	1	Carbon steel
26	O-ring	1	NBR
25	Hex screw	4	Carbon steel
24	Spring washer	4	Carbon steel
23	Middle part	1	Aluminum
22	O-ring	1	NBR
21	Filter element	1	Brass
20	Screw	2	Carbon steel
19	Reed seat board	1	ZZnAl-1
18	Reed	1	Polycarbonate
17	Spring	1	Stainless steel
16	Steel ball	1	Carbon steel
15	Small hole seat	1	Brass
14	Bracket	1	ZZnAl-1
13	Reed seat	1	ZZnAl-1
12	Reed	1	Polycarbonate
11	Oil regulate valve seat	1	Brass
10	O-ring	1	NBR
9	Regulate needle	1	Brass
8	Lubricator body	1	Aluminum
7	O-ring	1	NBR
6	Oil drop tube	1	Polycarbonate
5	O-ring	1	NBR
4	Oil window	1	Polycarbonate
3	Oil regulate screw	1	ABS
2	O-ring	1	NBR
1	Plug	1	ABS

EW

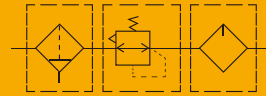


NO.	NAME	QTY	MATERIAL
41	Spring	1	Carbon steel
40	Regulate Nut	1	Carbon steel
39	Washer	1	POM
38	Regulate Bolt	1	Carbon steel
37	Spring washer	4	Carbon steel
36	Cross screw	4	Carbon steel
35	Valve cover	1	Reinforce nylon
34	Nut	1	Reinforce nylon
33	Symbol ring	1	Reinforce nylon
32	Regulate handle	1	Reinforce nylon
31	Overflow valve seat	1	ZZnAl-1
30	Spring	1	Stainless steel
29	Retainer ring	1	Carbon steel
28	O-ring	1	NBR
27	Valve core	1	Brass
26	Spool	1	Brass + NBR
25	Plug	1	Carbon steel
24	Regulator Body	1	Aluminum
23	O-ring	1	NBR
22	Retainer ring	1	Carbon steel
21	Pipe	1	POM
20	Diaphragm seat	1	Brass
19	Diaphragm	1	NBR
18	Diaphragm Pallet	1	Carbon steel
17	Water cup	1	Polycarbonate
16	O-ring	1	NBR
15	Drain board	1	ABS
14	Filter element	1	Carbon steel
13	Filter element	1	Brass
12	Whirling blade	1	ABS
11	Bowl guard	1	Carbon steel
10	Spring	1	Stainless steel
9	Lock	1	ABS
8	Pin	1	ABS
7	Nut	1	Brass
6	Hex Nut	1	Brass
5	O-ring	1	NBR
4	Drain valve	1	Brass
3	O-ring	1	NBR
2	Spring	1	Stainless steel
1	Valve core	1	Brass

E Series Air Preparation Unit

EC

F.R.L



Specifications

Model	EC1000	EC2000	EC2500	EC3000	EC4000	EC5000
Proof pressure(MPa)	1.5					
Max. working pressure(MPa)	1.0					
Working temperature(°C)	-5-60 (No freezing)					
Filter precision	25µm(5 µm is optional)					
Recommended oil	Turbine No.1 Oil ISOVG32					
Bowl material	Polycarbonate					
Bowl guard	None			Available		
Pressure adjusting range(MPa)	0.15-0.85					
Valve type	With overflow					

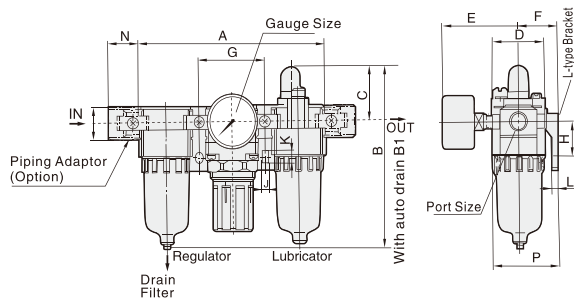
Model	Specifications							Accessories Bracket(Two)
	Filter	Regulator	Lubricator	* Rated flow (L/min)	** Port size (G)	Pressure gauge thread size (G)	Weight (kg)	
EC1000-M5	EF1000	ER1000	EL1000	90	M5	1/16	0.26	Y10L
EC2000-01	EF2000	ER2000	EL2000	1000	1/8	1/8	0.74	Y20L
EC2000-02				1100	1/4			
EC3000-02	EF3000	ER3000	EL3000	1950	1/4	1/8	1.18	Y30L
EC3000-03				2105	3/8			
EC4000-03	EF4000	ER4000	EL4000	4950	3/8	1/4	2.14	Y40L
EC4000-04				5200	1/2			
EC4000-06	EF4000-06	ER4000-06	EL4000-06	5600	3/4	1/4	2.47	Y50L
EC5000-06	EF5000	ER5000	EL5000	6200	3/4	1/4	3.82	Y60L
EC5000-10				6500	1			

* The above information is based on 8.0 Bar supply pressure and 6.3 Bar set pressure

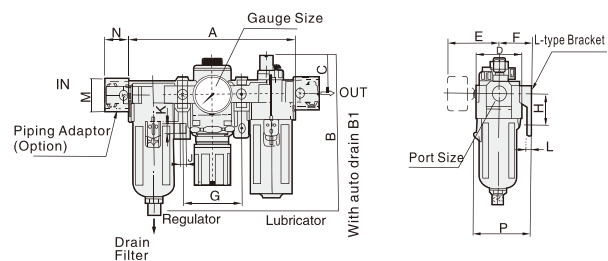
* NPT,PT port size is optional

Main Dimension

EC1000-EC2000



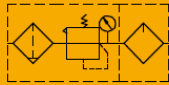
EC3000-EC5000



Model	Port Size (G)	A	B	B1	C	D	E	F	G	H	J	K	L	M	N	P
EC1000	M5	91	84.5	-	25.5	25	26	25	33	20	4.5	7.5	5	17.5	16	38.5
EC2000	1/8"-1/4"	140	123.5	161	37.5	40	53	30	50	24	5.5	8.5	5	22	23	50
EC3000	1/4"-3/8"	181	157.5	170	39	53	57	41	64	35	7.5	11	7.2	34.2	26	70.5
EC4000	3/8"-1/2"	238	190	194	40	70	62	50	84	40	9	13	7.2	42.2	33	88
EC4000-06	3/4"	253	191.5	194.5	39	70	66	50	89	40	9	13	7.2	46.2	36	88
EC5000	3/4"-1"	300	271.5	274.5	45.5	90	72	69.8	105	50	12	16	10.5	55.2	40	115

EC Series Air Preparation Unit

EC
FR.L



Specifications

Model	EC1010	EC2010	EC3010	EC4010	EC5010
Proof pressure(MPa)	1.5				
Max. working pressure(MPa)	1.0				
Working temperature(°C)	-5~60 (No freezing)				
Filter precision	25µm (5 µm is optional)				
Recommended oil	Turbine No.1 Oil ISOVG32				
Bowl material	Polycarbonate				
Bowl guard	None				Available
Pressure adjusting range(MPa)	0.15~0.85				
Valve type	With overflow				

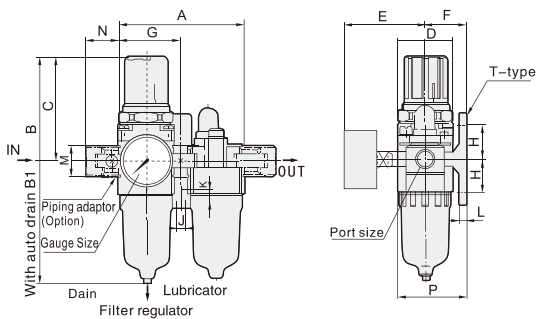
Model	Specifications						Accessories
	Assembly		* Rated flow (L/min)	** Port size (G)	Pressure gauge thread size (G)	Weight (kg)	Bracket
Filter with pressure	Lubricator						
EC1010-M5	EW1000	EL1000	90	M5	1/16	0.22	Y10T
EC2010-01	EW2000	EL2000	945	1/8	1/8	0.66	Y20T
EC2010-02			960	1/4			
EC3010-02	EW3000	EL3000	1874	1/4	1/8	0.98	Y30T
EC3010-03			1956	3/8			
EC4010-03	EW4000	EL4000	4923	3/8	1/4	1.93	Y40T
EC4010-04			5120	1/2			
EC4010-06			EW4000-06	EL4000-06			
EC5010-06	EW5000	EL5000	6000	3/4	1/4	3.20	Y60T
EC5010-10			6200	1			

* The above information is based on 8.0 Bar supply pressure and 6.3 Bar set pressure

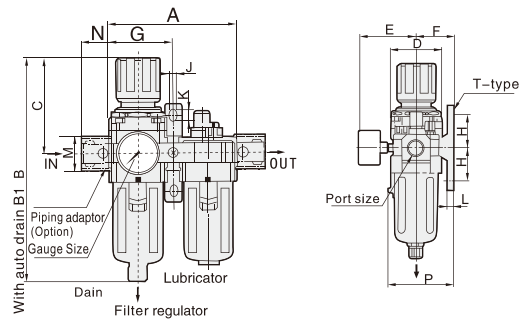
* NPT,PT port size is optional

Main Dimension

EC1010-EC2010



EC3010-EC5010



Model	Port Size (G)	A	B	B1	C	D	E	F	G	H	J	K	L	M	N	P
EC1010	M5	58	109.5	-	50.5	25	26	25	29	20	4.5	7.5	5	17.5	16	38.5
EC2010	1/8"-1/4"	90	162	200	76	40	53	29.5	45	24	5.5	8.5	5	22	23	50
EC3010	1/4"-3/8"	116	210.5	224.5	92	53	51	40	58.5	35	7.5	11	7.2	34.2	26	69.5
EC4010	1/4"-3/8"	154	264	267	113.5	70	67	49.5	77	40	9	13	7.2	42.2	33	88
EC4010-06	3/4"	164	268	271	115	70	67	49.5	82	40	9	13	7.2	46.2	36	88
EC5010	3/4"-1"	195	343	348	116.5	90	72	68.5	97.5	50	12	16	10.5	55.2	40	115