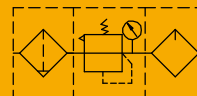


# EA Series Air Preparation Unit

## EAC2000 EAC3000 EAC4000

F.R.L Unit



### Specifications

Model	EAC2000-01	EAC2000-02	EAC3000-02	EAC3000-03	EAC3000-04	EAC4000-03	EAC4000-04	EAC4000-06	
Working Medium	Clean Air(after 40 μ m filtration)								
Proof Pressure(MPa)	1.5								
Working Pressure Range(MPa)	0.15~1.0								
Pressure Adjustment Range(MPa)	0.05~0.9,Low pressure type 0.05~0.4								
Working Temperature(°C)	-5~60 ( No freezing )								
Filter Precision	40 μ m/5 μ m optional								
Recommended Oil	Turbine No.1 Oil, ISO VG32								
Bowl Material	PC(Polycarbonate)								
Water Bowl Capacity(CC)	11		40			75			
Oil Bowl Capacity(CC)	30		76			183			
Weight(g)	551		1245			2284			
Component	Filter	EAF2000-01	EAF2000-02	EAF3000-02	EAF3000-03	EAF3000-04	EAF4000-03	EAF4000-04	EAF4000-06
	Regulator	EAR2000-01	EAR2000-02	EAR3000-02	EAR3000-03	EAR3000-04	EAR4000-03	EAR4000-04	EAR4000-06
	Lubricator	EAL2000-01	EAL2000-02	EAL3000-02	EAL3000-03	EAL3000-04	EAL4000-03	EAL4000-04	EAL4000-06

### How to Order?

Series No.	Port Size	Drain Type	Type No.	Pressure Gauge	Pressure Gauge Type	Scale Unit	Filter Precision	Thread Type	
EAC2000:EA2000 series F.R.L Unit	2000 ----- 3000 ----- 4000	Blank: Manual drain type① C: Semi-anto drain D: Auto Drain type	Blank: Standard type L: Low pressure type②	Blank: With pressure gauge N: No pressure gauge	F: Square pressure gauge Y: Round pressure gauge③	④ Square pressure gauge optional Round pressure gauge optional	Blank: 40 μ m 5M: 5 μ m	Blank: G P: PT T: NPT	
EAC3000:EA3000 series F.R.L Unit									
EAC4000:EA4000 series F.R.L Unit									
01: 1/8"									1: MPa
02: 1/4"									2: Bar
03: 3/8"									3: Psi
04: 1/2"	4: Mpa/Psi								
03: 3/8"	5: Bar/Psi								
04: 1/2"									
06: 3/4"									

#### Order Example:

EA series F.R.L unit, port size of 1/2", differential pressure drain type, low pressure, with square pressure gauge,

Mpa, 5 μ m, G thread, the ERP code: EAC3000-04CLF15M

Remark:①2000 series is only optional for manual drain type;

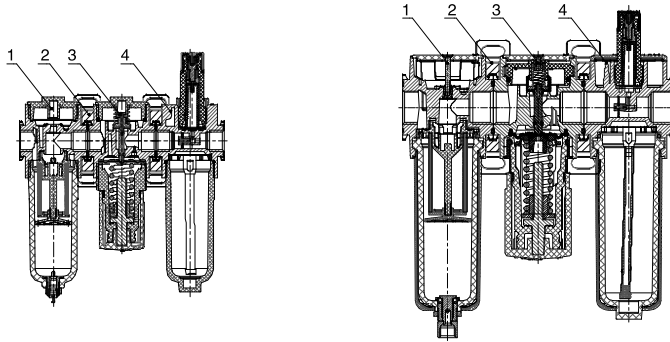
②Max pressure adjustable for low pressure type is 0.4Mpa;

③Port of round pressure gauge is M6;It is not allowed to distribute pressure gauges to customers;

④Square pressure gauge is single scale, round pressure gauge is double scale.

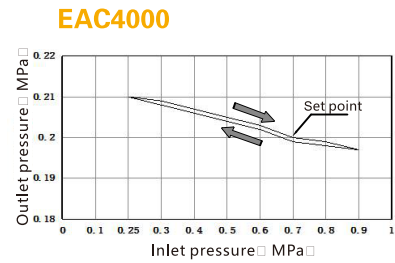
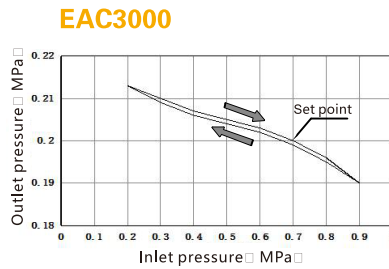
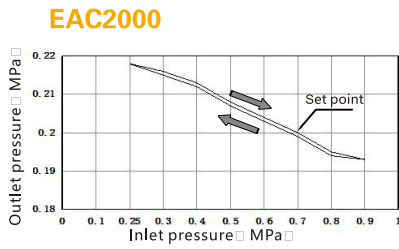
# EA Series Air Preparation Unit

## Internal Structure

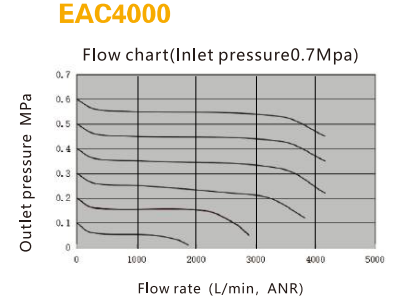
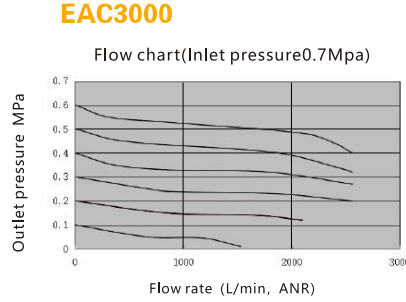
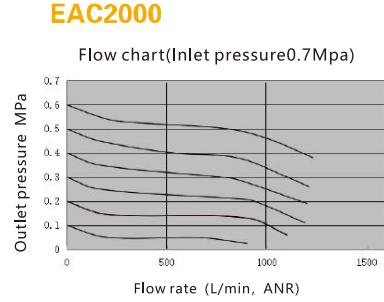


No.	Part Name
1	EA series filter
2	T type bracket
3	EA series regulator
4	EA series lubricator

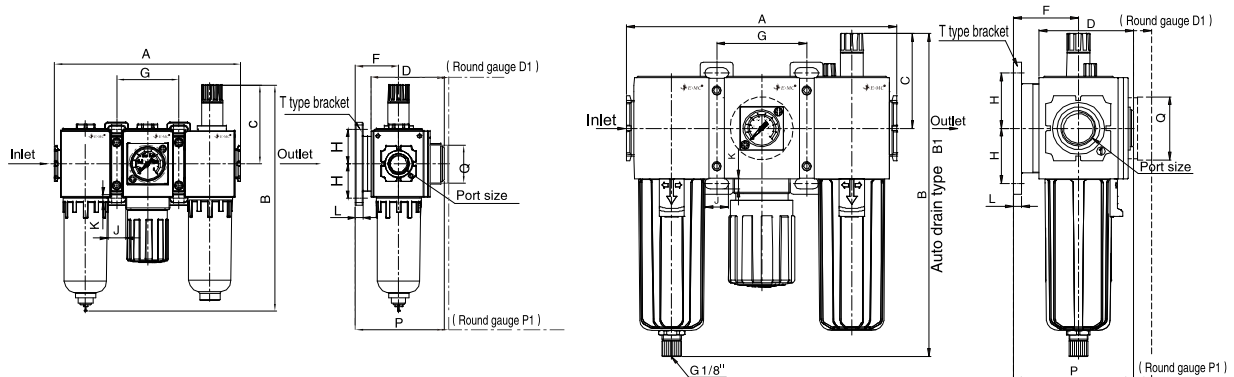
## Pressure Feature



## Flow Chart



## Main Dimensions



Model	Port Size	A	B	B1	C	D	D1	F	G	H	J	K	L	P	P1	Q
EAC2000	1/8", 1/4"	129	157.5	-	54.9	50.6	54	30	43	24	12.5	5.5	5	61.6	65	26.5
EAC3000	1/4", 3/8", 1/2"	171	204.5	201.5	60	61.6	73.3	41	57	35	15	7	5	75.8	87.5	40
EAC4000	3/8", 1/2", 3/4"	240	227.8	222.1	63	81.8	93.5	50	80	40	18	9	7	95	106.7	40