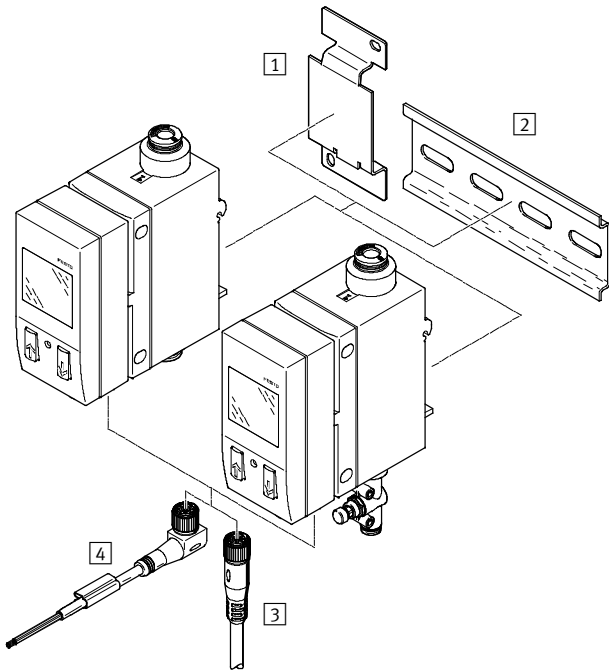


Flow sensors SFAB

Peripherals overview

Peripherals overview



Mounting attachments and accessories		→ Page/Internet
1	Adapter plate SDE1-...-W-... (included in the scope of delivery with SFAB-...-W...)	11
2	Mounting rail to DIN EN 60715	nrh
3	Connecting cable NEBU-M12G5, straight socket	11
4	Connecting cable NEBU-M12G5, angled socket	11